

Code Review in PVG/Agile

Emma Söderberg

Dept. of Computer Science, LTH



LTH
FACULTY OF
ENGINEERING

Software@LTH Oct 8, 2020

Two Courses

“PVG” / ED AF45

Software Development in Groups

Since: Fall 2000

D Programme

Ulf Asklund

Agile / EDAG05

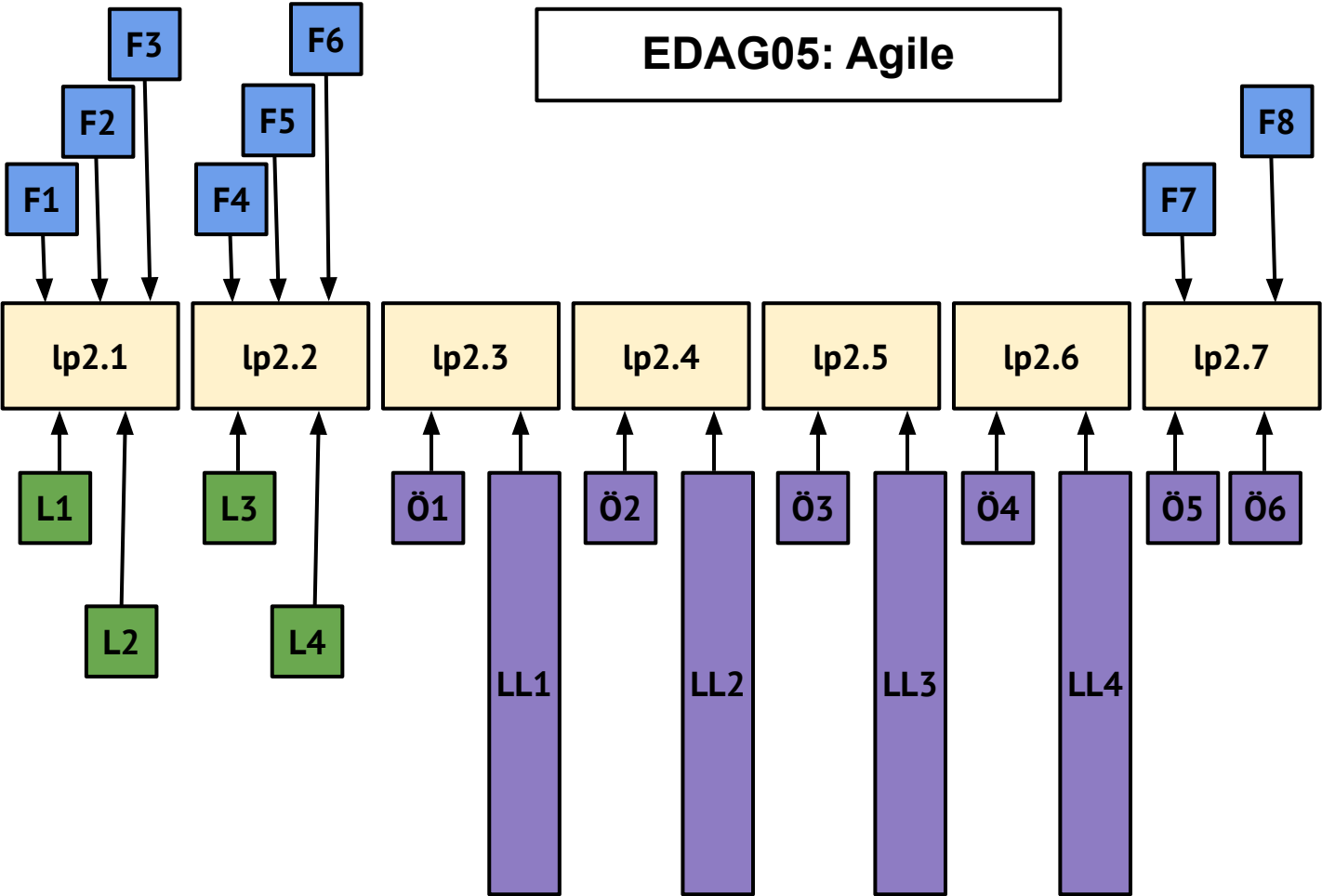
Agile Software Development

Since: Fall 2020

non-D programme (F, Pi, N, L ...)

Emma Söderberg, Ulf Asklund

EDAG05: Agile

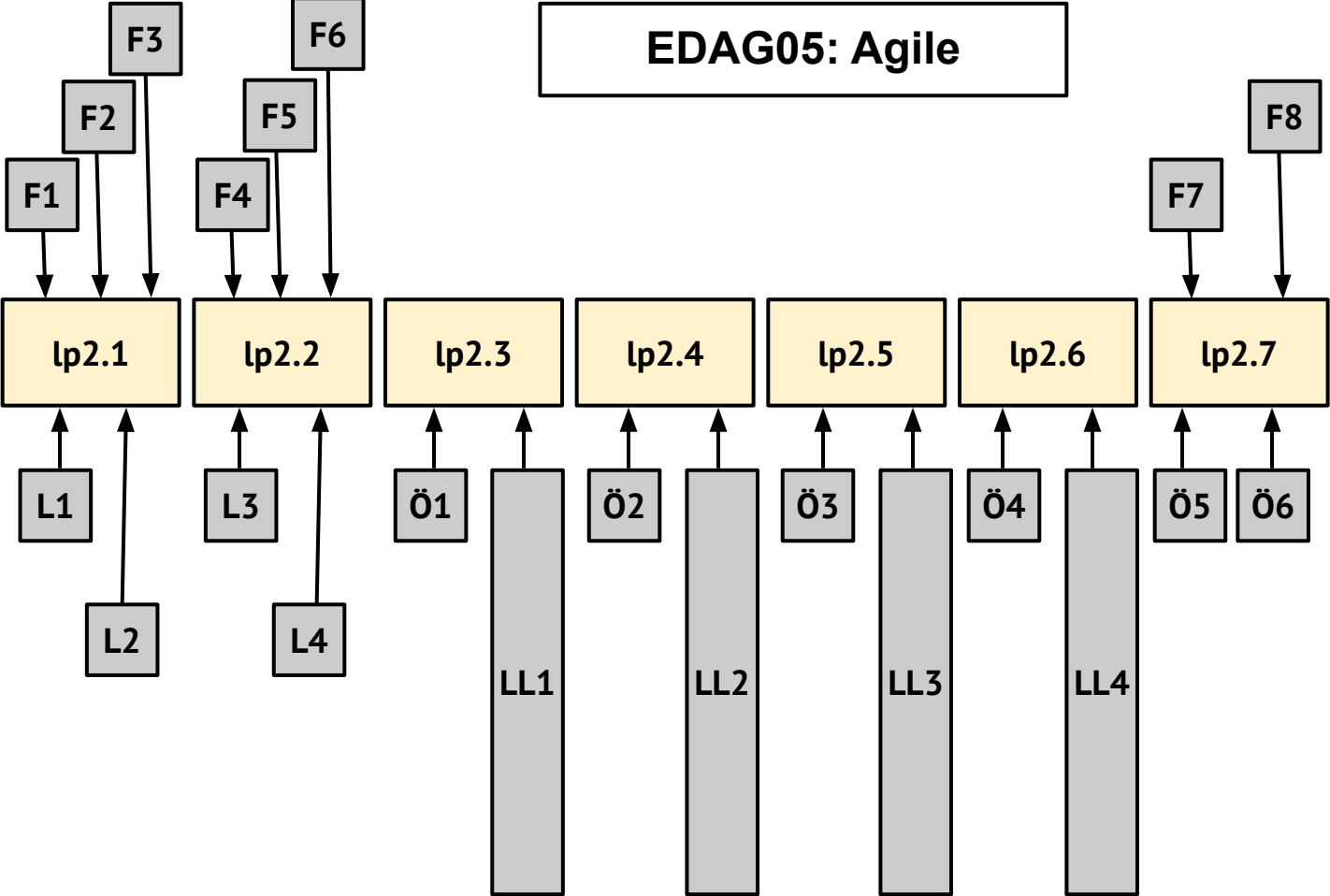


Legend

- .. Lecture
- .. Lab.
- .. Project

L Lab
LL Long Lab
Ö Exercise

EDAG05: Agile

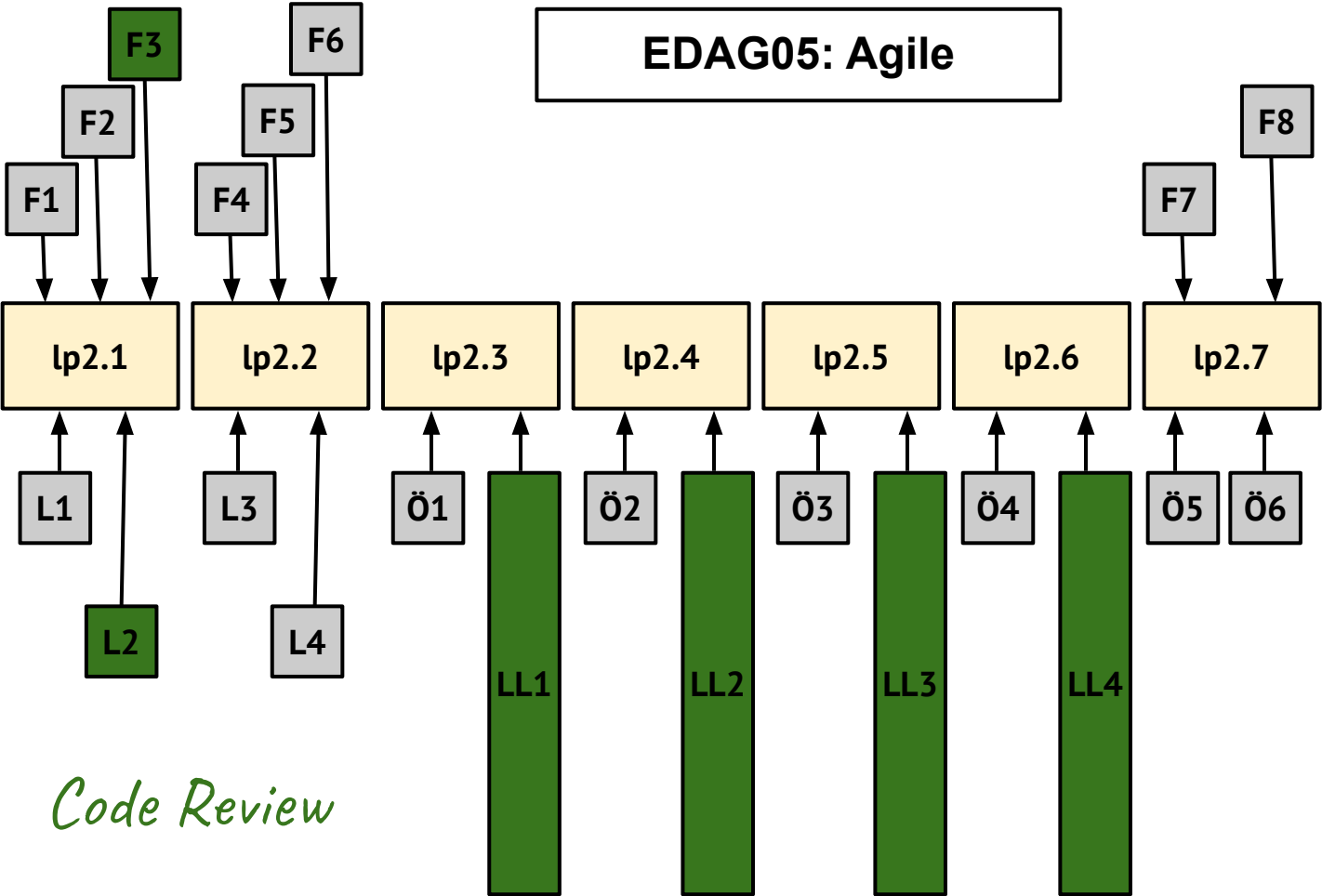


Legend

- L** Lab
- LL** Long Lab
- Ö** Exercise

.. Lecture
.. Lab.
.. Project

EDAG05: Agile



Code Review

Legend

- L** Lab
- LL** Long Lab
- Ö** Exercise

.. Lecture
.. Lab.
.. Project

Code Review in Agile

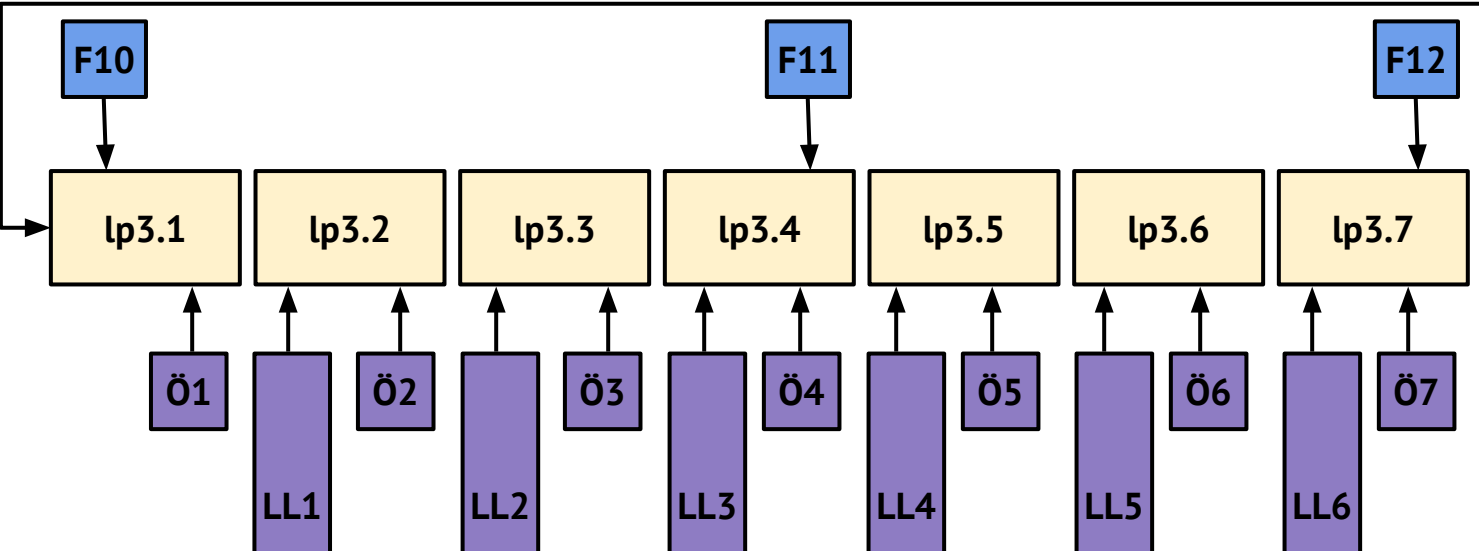
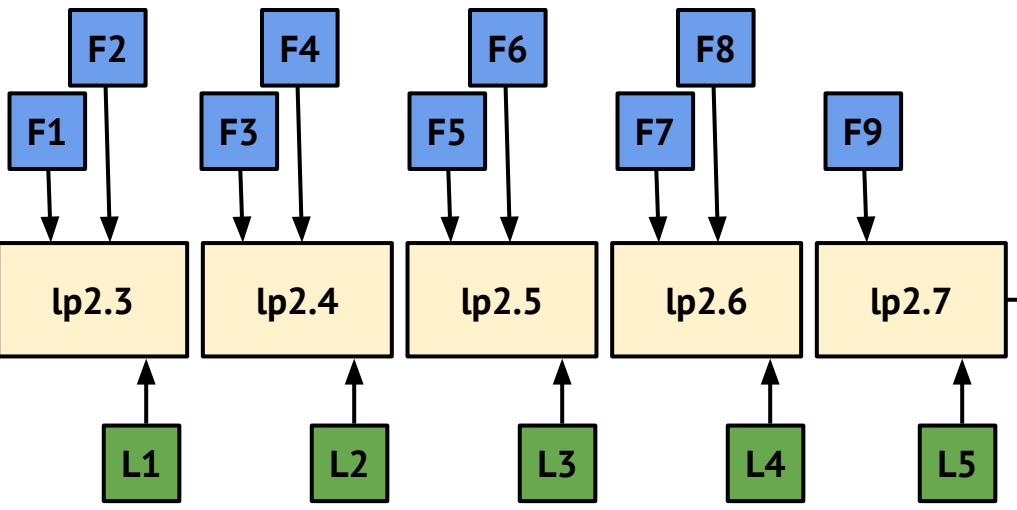
Code Review Process:

- Git Workflow / Feature branches
- GitLab / Merge Requests

Code Review:

- Mindset - “You are not your code”
- Communication - “True? Necessary? Kind?”, “Observation, Impact, Request”
- Things to look for: Style, Design, Tests, ...

EDAF45: PVG



Legend

- .. Lecture
- .. Lab.
- .. Project

L Lab
LL Long Lab
Ö Exercise