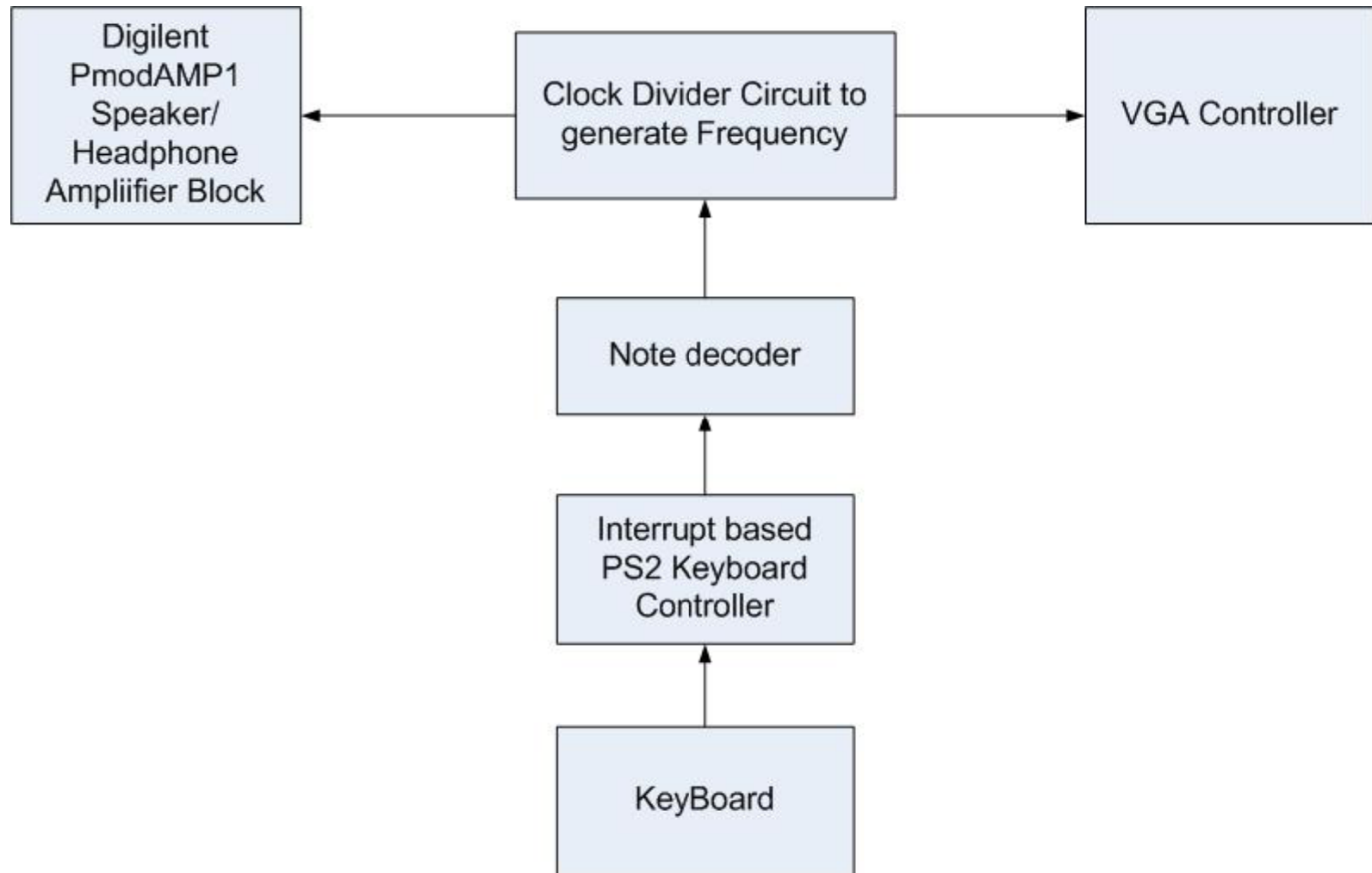


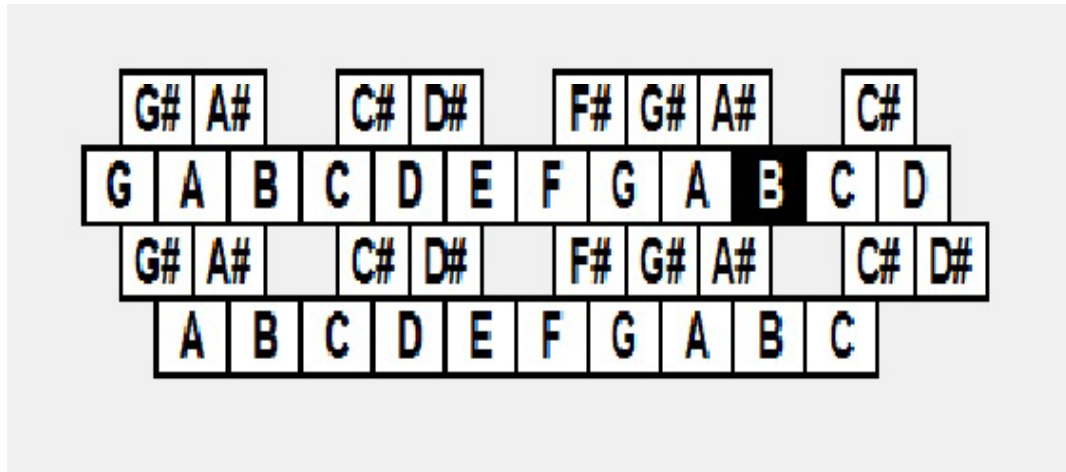
FPGA_Piano

**Sherine Thomas
Hemanth S. Prabhu
Amir Shadmani**

Block Diagram



VGA Display



Middle C

A0	27.5	A0#	29.135
B0	30.868		
C1	32.703	C1#	34.648
D1	36.708	D1#	38.891
E1	41.203		
F1	43.654	F1#	46.249
G1	48.999	G1#	51.913
A1	55.000	A1#	58.270
B1	61.735		
C2	65.406	C2#	69.296
D2	73.416	D2#	77.782
E2	82.407		
F2	87.307	F2#	92.499
G2	97.999	G2#	103.83
A2	110.00	A2#	116.54
B2	123.47		
C3	130.81	C3#	138.59
D3	146.83	D3#	155.56
E3	164.81		
F3	174.61	F3#	185.00
G3	196.00	G3#	207.65
A3	220.00	A3#	233.08
B3	246.94		
C4	261.63	C4#	277.18
D4	293.66	D4#	311.13
E4	329.63		
F4	349.23	F4#	369.99
G4	392.00	G4#	415.30
A4	440.00	A4#	466.16
B4	493.88		
C5	523.25	C5#	554.37
D5	587.33	D5#	622.25
E5	659.25		
F5	698.46	F5#	739.99
G5	783.99	G5#	830.61
A5	880.00	A5#	932.33
B5	987.77		
C6	1046.5	C6#	1108.7
D6	1174.7	D6#	1244.5
E6	1318.5		
F6	1396.9	F6#	1480.0
G6	1568.0	G6#	1661.2
A6	1760.0	A6#	1864.7
B6	1979.5		
C7	2093.0	C7#	2217.5
D7	2349.3	D7#	2489.0
E7	2637.0		
F7	2793.8	F7#	2960.0
G7	3136.0	G7#	3322.4
A7	3520.0	A7#	3729.3
B7	3951.1		
C8	4186.0		

Required Modules

